

ATOMIK WH PTS

High thickness polypropylene tool trolley



General features

- 2 metal lid safety support stays
- 2 metal locks with keys
- 3 metal hinges for maximum strength
- bottom area with adjustable/removable dividers
- ergonomic handle, rubber coated grip
- address label
- document area
- can accomodate up to 3 tool pallets

Internal Configuration

- 1 lid tool pallet with FLEXI POUCHES™ on two sides
- 1 bottom tool pallet with FLEXI POUCHES™ on one side
- wheels on ball bearings
- telescopic handle

Versions

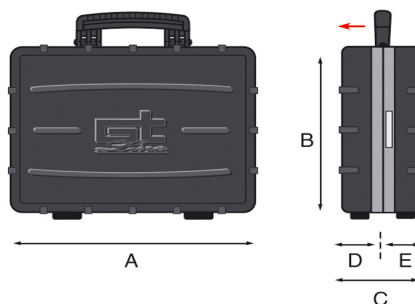
- ATOMIK 215 PEL
- ATOMIK 215 PSS
- ATOMIK 215 PTS
- ATOMIK WH PEL
- ATOMIK WH PSS
- ATOMIK WH PTS

EAN

8024482016429



Technical features	A	B	C	D	E
mm internal dimensions	465	352	255	95	160
	Weight Kg 6,40				
inc internal dimensions	18 5/16	13 7/8	10 1/16	3 3/4	6 5/16
	Weight lbs 14.11				



ATOMIK WH PTS

High thickness polypropylene tool trolley



Technologically advanced, injection moulded, high thickness Polypropylene tool case. This material makes the case extremely resistant against chemical corrosion, shock, high and low temperature. The injection technique ensures constant material thickness, even in the corners.



KIN.0528



KIN.0782



KIN.0459



KIN.0494



KIN.1218



LOCKATOMIK



KIN.0619



KIN.0622



KIN.0056



KIN.0780



KIN.0512



KIN.0514