

WATERPROOF GT 44-19 PTS

Waterproof polypropylene tool case



General features

- waterproof and airtight (IP 67)
- interstackable
- corrosionproof, sandproof and dustproof
- shockproof and crushproof
- temperature rating -33°C/+90°C
- ergonomic handle, rubber coated grip
- jam free latches with user-friendly opening mechanism
- corrosion proof metal hinges with lid stay features
- pressure release valve
- special PU injected seal
- stainless steel reinforced pad lockable points providing maximum security

Internal Configuration

- document wallet
- 2 tool pallets with FLEXI POUCHES™
- equipped with gas-pressurised lid supports
- bottom tray with high stability divider modules
- 2 small component boxes

Versions

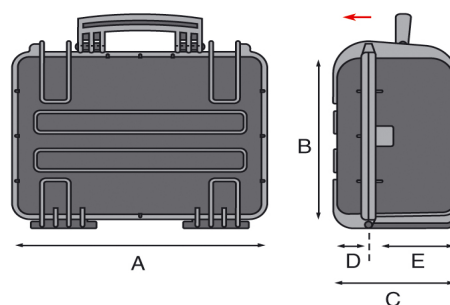
- WATERPROOF GT 42-09 PEL
- WATERPROOF GT 42-09 PTS
- WATERPROOF GT 42-16 PEL
- WATERPROOF GT 42-16 PTS
- WATERPROOF GT 44-19 PEL
- WATERPROOF GT 44-19 PSS
- WATERPROOF GT 44-19 PTS
- WATERPROOF GT 52-21 PEL
- WATERPROOF GT 52-21 PSS
- WATERPROOF GT 52-21 PTS
- WATERPROOF GT 53-26 PEL
- WATERPROOF GT 53-26 PTS
- WATERPROOF GT 58-23

EAN

8024482015569



Technical features	A	B	C	D	E
mm internal dimensions	445	345	190	47	143
	Weight Kg 6,50				
inc internal dimensions	17 1/2	13 9/16	7 1/2	1 7/8	5 5/8
	Weight lbs 14.33				



WATERPROOF GT 44-19 PTS

Waterproof polypropylene tool case



Watertight and perfectly sealed thanks to the exclusive neoprene "O" ring and to the purge valve, these cases grant an absolute protection to your tools. Made of resistant lightweight resin, they are provided with strong locks and a useful and ergonomic handle. They are ideal for use in the harshest environment, such as industrial, aeronautical, military and nautical fields.

Spares

WATERPROOF GT 44-19 PTS



KIN.0572



KIN.0238



KIN.0479



KIN.0446



KIN.0496



KIN.0796



KIN.0797