

# WATERPROOF GT 58-23

Waterproof polypropylene tool trolley



## General features

- waterproof and airtight (IP 67)
- interstackable
- corrosionproof, sandproof and dustproof
- shockproof and crushproof
- temperature rating -33°C/+90°C
- ergonomic handle, rubber coated grip
- jam free latches with user-friendly opening mechanism
- corrosion proof metal hinges with lid stay features
- pressure release valve
- special PU injected seal
- stainless steel reinforced pad lockable points providing maximum security

## Internal Configuration

- document wallet in the lid
- 1 tool pallet with large elastic bands on both sides
- 1 tool pallet with FLEXI POUCHES™ on both sides
- bottom with layers of pre cubed foam
- 1 padlock with key included
- ergonomic central handle
- 2 side handles for two people carriage
- trolley with quick & safe lock/unlock telescopic handle
- padlockable in several points providing maximum security
- corrosion proof metal reinforced hinges
- positive stacking location

## Versions

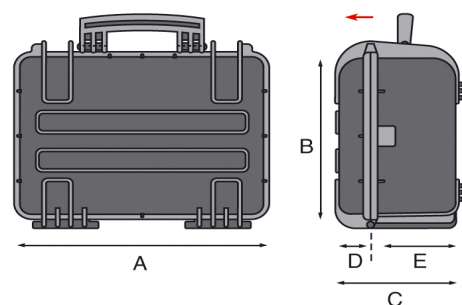
- WATERPROOF GT 42-09 PEL
- WATERPROOF GT 42-09 PTS
- WATERPROOF GT 42-16 PEL
- WATERPROOF GT 42-16 PTS
- WATERPROOF GT 44-19 PEL
- WATERPROOF GT 44-19 PSS
- WATERPROOF GT 44-19 PTS
- WATERPROOF GT 52-21 PEL
- WATERPROOF GT 52-21 PSS
- WATERPROOF GT 52-21 PTS
- WATERPROOF GT 53-26 PEL
- WATERPROOF GT 53-26 PTS
- WATERPROOF GT 58-23

## EAN

8024482174549



Technical features	A	B	C	D	E
mm internal dimensions	580	440	220	60	160
	Weight Kg 12,50				
inc internal dimensions	22 13/16	17 5/16	8 11/16	2 3/8	6 5/16
	Weight lbs 27.55				



## **WATERPROOF GT 58-23**

Waterproof polypropylene tool trolley



Watertight and perfectly sealed thanks to the exclusive neoprene "O" ring and to the purge valve, these cases grant an absolute protection to your tools. Made of resistant lightweight resin, they are provided with strong locks and a useful and ergonomic handle. They are ideal for use in the harshest environment, such as industrial, aeronautical, military and nautical fields.

# Spares

WATERPROOF GT 58-23



KIN.0526



KIN.0542



KIN.0412



KIN.0446



KIN.0496



KIN.0934



KIN.0933



KIN.0522



KIN.0550