

NEW MEGA WHEELS PSS

Double wall polyethylene tool trolley



General features

- HDPE roto-molded case with built-in rubber feet
- 2 metal lid safety support stays
- 2 TSA accepted locks
- telescopic handle and large wheels provided with ball bearings
- ergonomic handle, rubber coated grip
- single steel hinge, riveted in several points to assure high resistance
- large base area for tools, powertools, accessories and spare parts
- stackability
- document wallet
- 2 small component boxes

Internal Configuration

- 2 tool pallets with PSS™ system

Versions

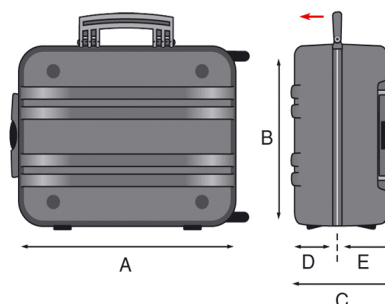
- NEW MEGA WHEELS PEL
- NEW MEGA WHEELS PSS
- NEW MEGA WHEELS PTS

EAN

8024482009131



Technical features	A	B	C	D	E
mm internal dimensions	453	345	185	75	110
Weight Kg 8,00					
inc internal dimensions	17 13/16	13 9/16	7 5/16	2 15/16	4 5/16
Weight lbs 17.63					



NEW MEGA WHEELS PSS

Double wall polyethylene tool trolley



Tool trolley made entirely of HDPE polyethylene, a real shield against accidental shocks. High capacity case ideal for air travelling engineers that carry both tools, spare parts and components.

The TSA Locks allow the case to be checked at the airport by security officers, without destroying the locks.

THIS PRODUCT IS POWERED BY INTELLIRESPOND, the free App that allows for personal tool inventory and control of the content.

Please visit www.intellirespond.com

Spares

NEW MEGA WHEELS PSS



KIN.0346



KIN.0990



KIN.0248



KIN.0782



KIN.0335



KIN.0314



KIN.0365



KIN.0949



KIN.0950



KIN.1083



KIN.0056



KIN.0233



KIN.0243



KIN.0900



KIN.0512



KIN.0148